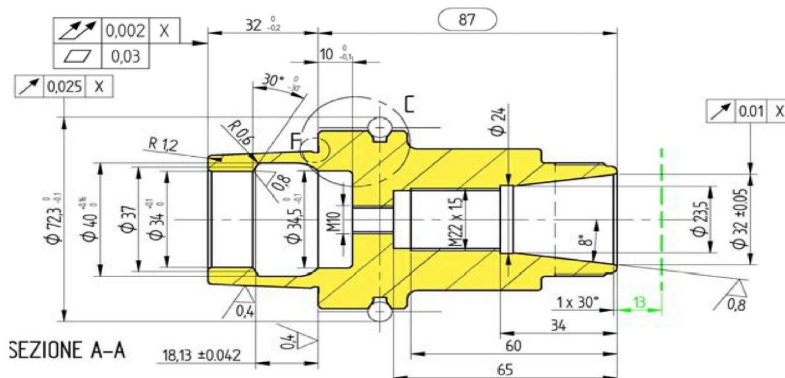


## DIN 69893/E HSK

**BILANCIATO / BALANCED :**  
**G2,5 a 20000RPM**

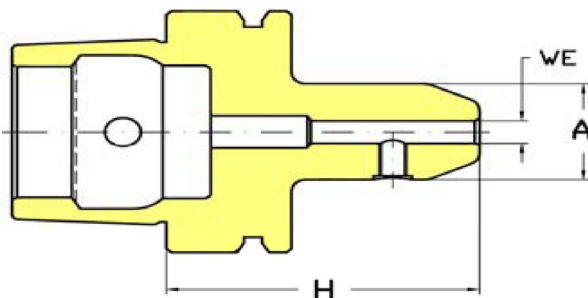
MANDRINI PORTAPINZE  
COLLET CHUCKS



CODICE	Clamping Range	A							
HSK63E.H73.ERC32	2 ÷ 20	50-G32S							
HSK63E.H100.ERC32	2 ÷ 20	50-G32S							
HSK63E.H73.ERC40	3 ÷ 30	63-G40S							
HSK63E.H120.ERC40	3 ÷ 30	63-G40S							

MANDRINI PORTAPINZE  
COLLET CHUCKS

**BILANCIATO / BALANCED :**  
**G2,5 a 20000RPM**



CODICE	A								
HSK50E.H65.WE6	25								
HSK50E.H65.WE8	28								
HSK50E.H65.WE10	35								
HSK50E.H80.WE12	42								
HSK50E.H80.WE14	44								
HSK50E.H80.WE16	48								
HSK50E.H80.WE18	50								
HSK50E.H85.WE20	52								
HSK63E.H65.WE6	25								
HSK63E.H65.WE8	28								
HSK63E.H70.WE10	35								
HSK63E.H80.WE12	42								
HSK63E.H80.WE14	44								
HSK63E.H80.WE16	48								
HSK63E.H80.WE18	50								
HSK63E.H80.WE20	52								

Tool Holders